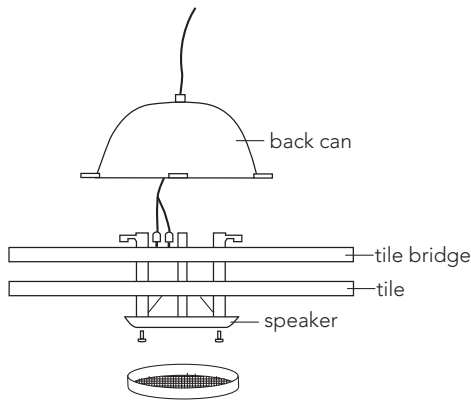


# Ceiling Speakers

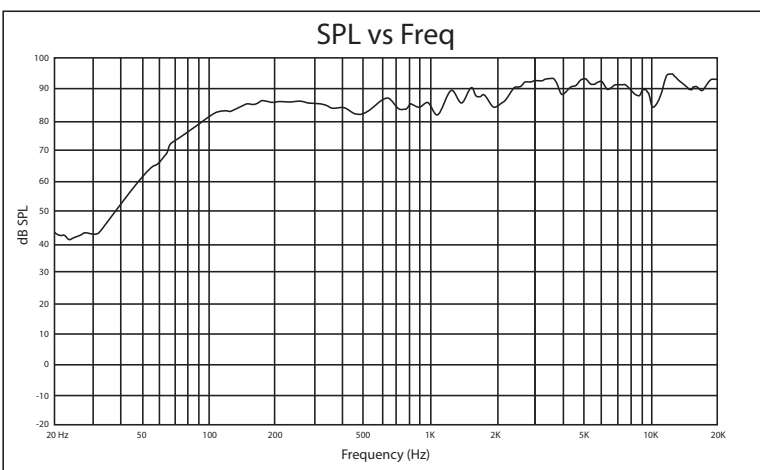
These easy-to-install speakers blend in with drop ceiling tiles for a flush look, and provide great sound quality and dispersion. The design is optimized for faithful reproduction of voice and music with its 6.5 inch woofer and 1 inch tweeter. The polymer woofer, with rubber surround, provides long service life.

A separate zinc-plated steel back can with convenient locking tabs and tile bridge are designed for plenum spaces and prevent sound from travelling to other classrooms. The tile bridge helps speed up installations, fitting directly into standard 2x2 ft or 2x4 ft drop ceiling grids.



## Key Benefits

- Great sound quality for faithful reproduction of voice and music
- Designed for plenum spaces
- Low profile installation in ceiling tile for neat installation
- Easy installation of back can and tile bridge



## Specifications

- Average sensitivity:** 86dB-SPL 1W/1M
- Speaker type:** coaxial: 10cm/6.5in woofer, 2.5cm/1in tweeter
- Impedance:** 8Ω nominal
- Continuous power:** 30W
- Peak power:** 50W
- Frequency response:** 80Hz to 20kHz
- Dimensions (Dia x d):** 21.7 x 7 cm / 8.5 x 2.75 in
- Weight:** 1.1kg/2.5lbs
- Mounting:** Steel tile bridge and back enclosure, built for Plenum spaces

